



NELUX ARCHITECTURAL LIGHTING - WALL WASHER DOWNLIGHTS 2025

2025

Wall washer downlights

Nelux Architectural Lighting Products
Whatsapp: +852 5349 0724
sales@nelux.com.hk
www.nelux.com.hk

Head office: China, HK, Wanchai,
Central Plaza, 18 Harbour road, 32/F, Office 3208
Workhouse: China, HK, Tuen Mun, Sun Hing Industrial Building, 22 Kin Fat Street, 11th Floor

Tel:+852 28600042
Fax:+852 28600066
WeChat: neluxury

ARCHITECTURAL & COMMERCIAL LIGHTING

nelux

Producing your dreams

**MODERN DESIGN
REDECORATE YOUR SPACE**

**Do you need any customised
product?**

**Nelux design, develop and
produce for you**

WALL WASHER DOWNLIGHT

nelux architectural lighting

Our WALL WASHER Downlights are made from Aluminium Die-casting, electrostatic powder coating. Reflectors made from Aluminium anodized specular silver and aluminum. Brand of Chip CREE , PHILIPS and other brands like Citizen and Bridgelux available, depending of the product design. Led Driver Khün, Xz, Osram, Philips.

Input Voltage Multivoltage and 220-240VAC/50-60Hz



WW85105 10W ASYM



WW105140 13W,18W ASYM



WW135175 18W,25W ASYM



WW160185 25W,33W ASYM



WW85105 10W SYM



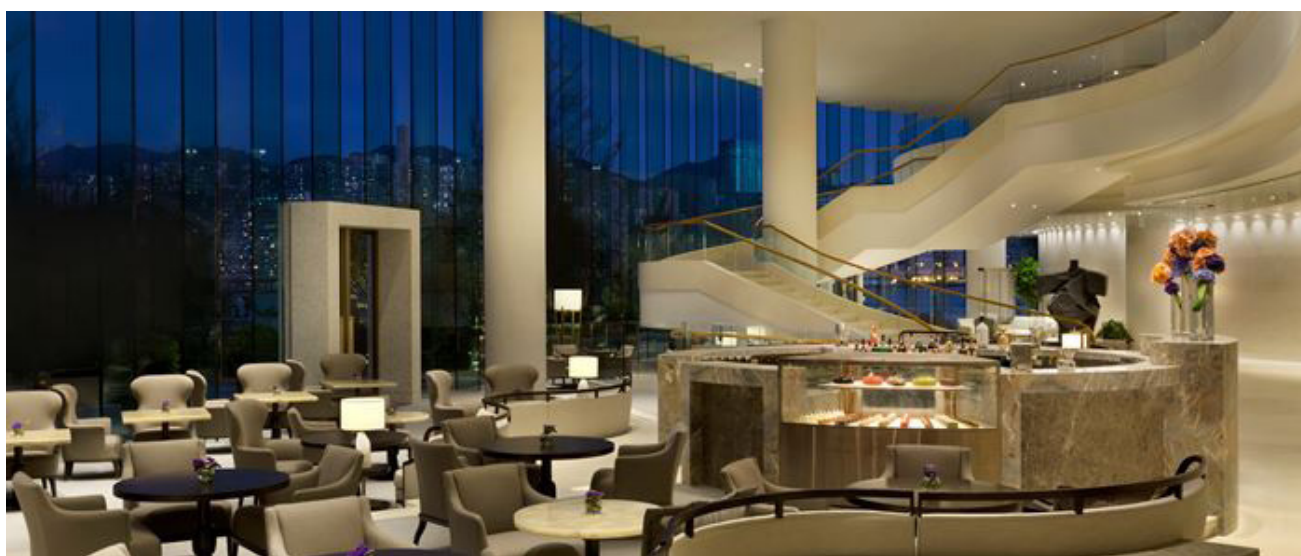
WW105140 13W,18W SYM



WW135175 18W,25W SYM



WW160185 25W,33W SYM



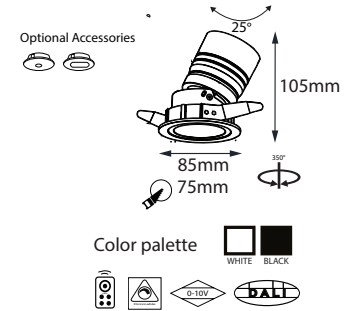
WALL WASHER DOWNLIGHT, Lobby series, the perfect wall washer for your Hotel projects. Lobby reference WW160185 25W, white finished with specular anodized reflector.



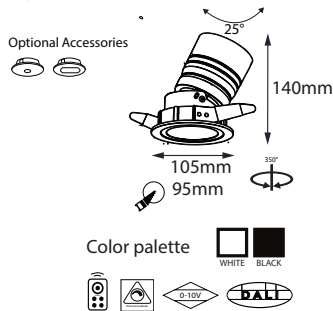
WW85105 Asymmetric

Input Voltage AC220-240V, Multivoltage
 Light Power 10W
 Luminous flux ~560lm
 Light Source CREE, other options available Citizen,
 CCT 2700K, 3000K, 4000K
 CRI 80 as standard, CRI90, 95, 97
 Beam Angle Reflector 24°, 36°, 40°
 Driver, Khun, Xz, Philips other options available
 Dimmable 0-10V, Triac, Dali as an option

WW85105 Asymmetric



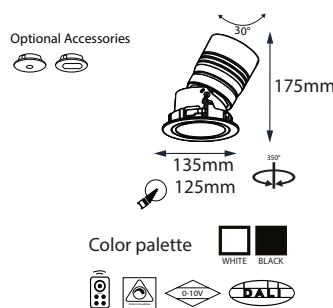
WW105140 Asymmetric



WW105140 Asymmetric

Input Voltage AC220-240V, Multivoltage
 Light Power 13W/18W
 Luminous flux ~820lm/~1160lm
 Light Source CREE, other options available Citizen,
 CCT 2700K, 3000K, 4000K
 CRI 80 as standard, CRI90, 95, 97
 Beam Angle Reflector 20°, 24°, 36°
 Driver, Khun, Xz, Philips other options available
 Dimmable 0-10V, Triac, Dali as an option

WW135175 Asymmetric

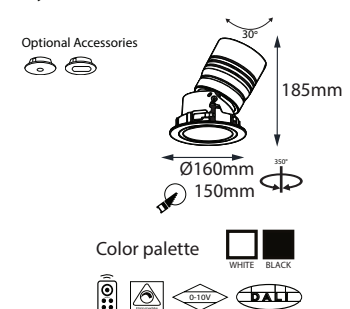


WW135175 Asymmetric

Input Voltage AC220-240V, Multivoltage
 Light Power 18W/25W
 Luminous flux ~1220lm/~1780lm
 Light Source CREE, other options available Citizen,
 CCT 2700K, 3000K, 4000K
 CRI 80 as standard, CRI90, 95, 97
 Beam Angle Reflector 20°, 24°, 36°
 Driver, Khun, Xz, Philips other options available
 Dimmable 0-10V, Triac, Dali as an option



WW160185 Asymmetric



WW160185 Asymmetric

Input Voltage AC220-240V, Multivoltage
 Light Power 25W/33W
 Luminous flux ~1910lm/~2620lm
 Light Source CREE, other options available Citizen,
 CCT 2700K, 3000K, 4000K
 CRI 80 as standard, CRI90, 95, 97
 Beam Angle Reflector 15°, 24°, 36°
 Driver, Khun, Xz, Philips other options available
 Dimmable 0-10V, Triac, Dali as an option



LOBBY SERIES



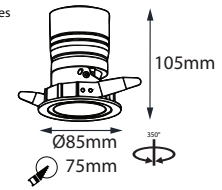
WW85105 Symmetric

Input Voltage AC220-240V, Multivoltage
 Light Power 10W
 Luminous flux ~560lm
 Light Source CREE, other options available Citizen, CCT 2700K, 3000K, 4000K
 CRI 80 as standard, CRI90, 95, 97
 Beam Angle Reflector 24°, 36°, 40°
 Driver, Khun, Xz, Philips other options available
 Dimmable 0-10V, Triac, Dali as an option

WW85105 Symmetric



Optional Accessories



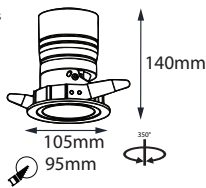
Color palette



WW105140 Symmetric



Optional Accessories



Color palette



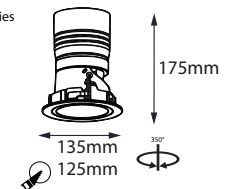
WW105140 Symmetric

Input Voltage AC220-240V, Multivoltage
 Light Power 13W/18W
 Luminous flux ~930lm/~1280lm
 Light Source CREE, other options available Citizen, CCT 2700K, 3000K, 4000K
 CRI 80 as standard, CRI90, 95, 97
 Beam Angle Reflector 20°, 24°, 36°
 Driver, Khun, Xz, Philips other options available
 Dimmable 0-10V, Triac, Dali as an option

WW135175 Symmetric



Optional Accessories



Color palette



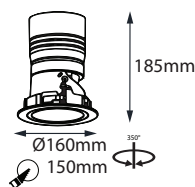
WW135175 Symmetric

Input Voltage AC220-240V, Multivoltage
 Light Power 18W/25W
 Luminous flux ~1300lm/~1880lm
 Light Source CREE, other options available Citizen, CCT 2700K, 3000K, 4000K
 CRI 80 as standard, CRI90, 95, 97
 Beam Angle Reflector 20°, 24°, 36°
 Driver, Khun, Xz, Philips other options available
 Dimmable 0-10V, Triac, Dali as an option

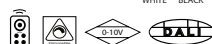
WW160185 Symmetric



Optional Accessories



Color palette



WW160185 Symmetric

Input Voltage AC220-240V, Multivoltage
 Light Power 25W/33W
 Luminous flux ~1910lm/~2620lm
 Light Source CREE, other options available Citizen, CCT 2700K, 3000K, 4000K
 CRI 80 as standard, CRI90, 95, 97
 Beam Angle Reflector 15°, 24°, 36°
 Driver, Khun, Xz, Philips other options available
 Dimmable 0-10V, Triac, Dali as an option



THANK YOU

NELUX (HK) INTERNATIONAL,TLD

sales@nelux.com.hk

Head Office +852 28600042

Workhouse whatsapp +852 5349 0724