

nelux

Producing your dreams

Comercial & Architectural LED lighting
Since 2010

Nelux Architectural Lighting Products

HPW II hi-Power LED down light

Scan Our QR



Producing Your Dreams

Nelux (HK) Internation,ltd

nelux architectural lighting

18 Harbour road, Central Plaza, 32/F, Office 3208,
Wanchai, HK, China
sales@nelux.com.hk
+852 53490724

neluxury
neluxlighting
www.nelux.com.hk

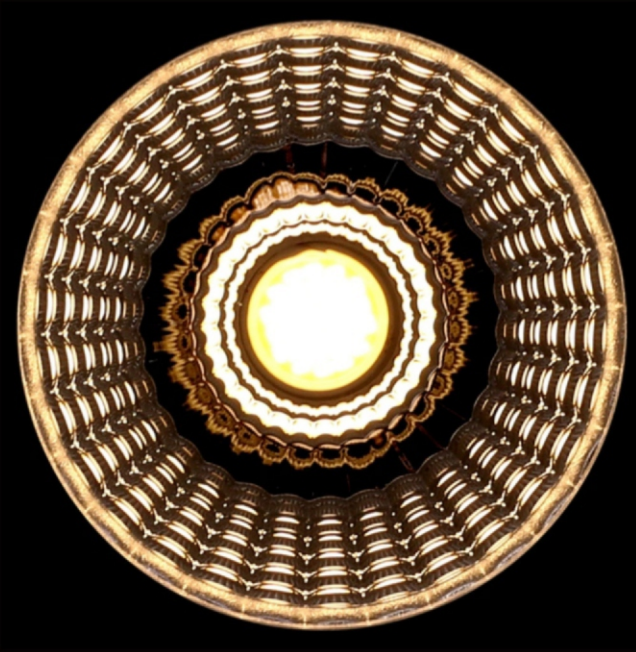
Welcome to Nelux



nelux

Producing your dreams

Comercial & Architectural LED lighting
Since 2010



HPW Hi-Power Down Light



NR1388 25W/33W



NR1389 33W/43W



NR1042 25W/33W



NR1044 33W/43W

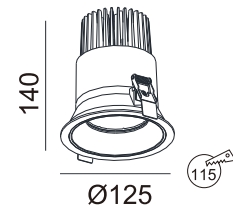
High power downlight made from original aluminum, RoHs Reach standard.
 Uniform light performance due to control LEDs in CRI and SDCM.
 Popular installed in lobby, entrance hall, shopping mall, park, large meeting room, indoor sport ground.



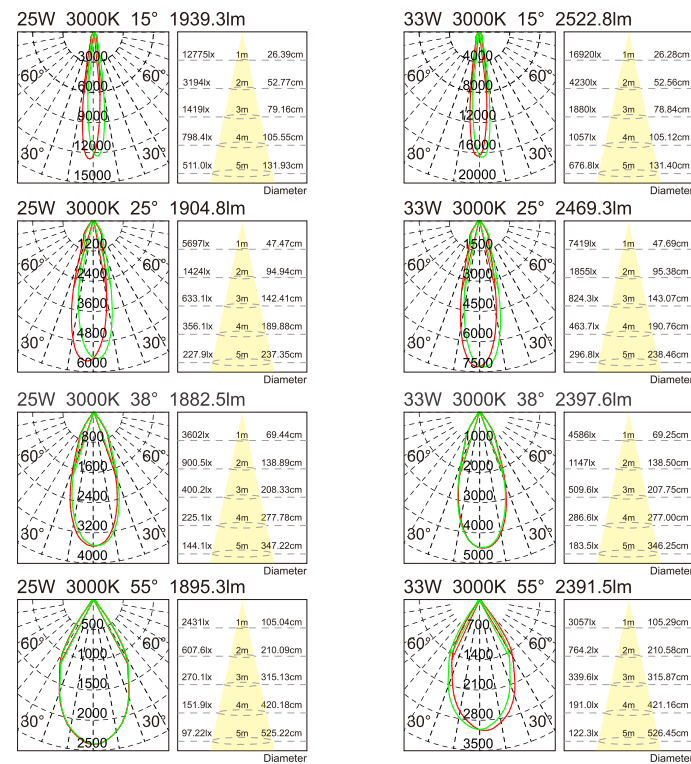
NR1388

| Power | CCT | Optical Source | CRI | Beam angle | Luminous flux |
|-------|-------|----------------|-----|------------|---------------|
| 25W | 2700K | Bridgelux COB | ≥80 | 15° | 1939.3lm |
| 33W | 3000K | | | 25° | 1904.8lm |
| | 4000K | | | 38° | 1882.5lm |
| | 5000K | | | 55° | 1895.3lm |
| | | | | 15° | 2522.8lm |
| | | | | 25° | 2469.3lm |
| | | | | 38° | 2397.6lm |
| | | | | 55° | 2391.5lm |

Size/CTN: 540×360×355 mm
G.W./CTN: 16 kgs
PCS/CTN: 18pcs



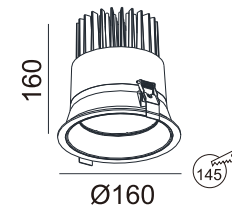
Light distribution parameters



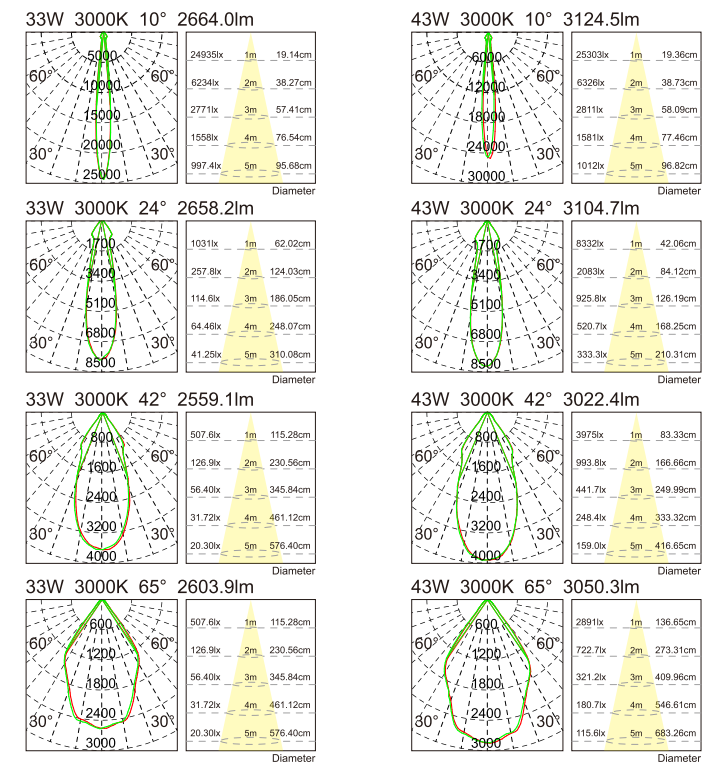
NR1389

| Power | CCT | Optical Source | CRI | Beam angle | Luminous flux |
|-------|-------|----------------|-----|------------|---------------|
| 33W | 2700K | Bridgelux COB | ≥80 | 10° | 2664.0lm |
| 43W | 3000K | | | 24° | 2658.2lm |
| | 4000K | | | 42° | 2559.1lm |
| | 5000K | | | 65° | 2603.9lm |
| | | | | 10° | 3124.5lm |
| | | | | 24° | 3104.7lm |
| | | | | 42° | 3022.4lm |
| | | | | 65° | 3050.3lm |

Size/CTN: 585×395×375 mm
G.W./CTN: 15.7 kgs
PCS/CTN: 12pcs



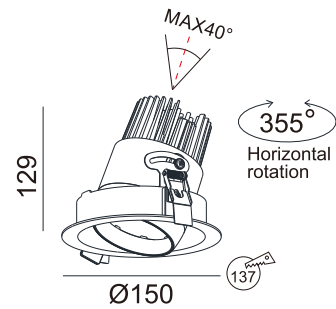
Light distribution parameters





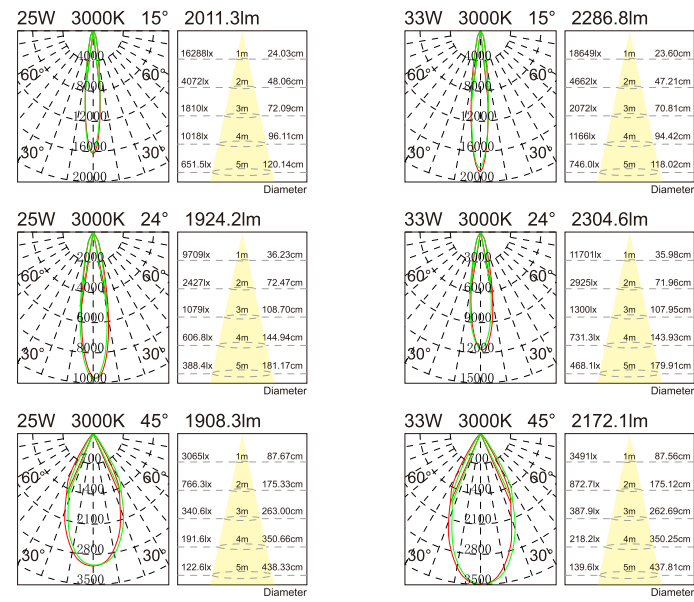
NR1042

| Power | CCT | Optical Source | CRI | Beam angle | Luminous flux |
|-------|-------|----------------|----------|------------|---------------|
| 25W | 2700K | CREE COB | ≥80 | 15° | 2011.3lm |
| 33W | 3000K | | | 24° | 1924.2lm |
| | 4000K | | | 45° | 1908.3lm |
| | 5000K | 15° | 2286.8lm | | |
| | | | | 24° | 2304.6lm |
| | | | | 45° | 2172.1lm |



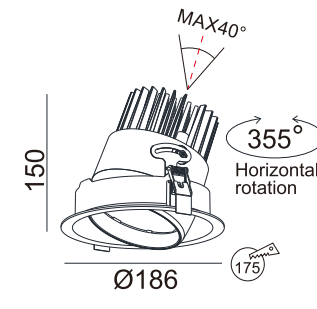
Size/CTN: 525×350×315 mm
G.W./CTN: 12.6 kgs
PCS/CTN: 12 pcs

Light distribution parameters



NR1044

| Power | CCT | Optical Source | CRI | Beam angle | Luminous flux |
|-------|-------|----------------|----------|------------|---------------|
| 33W | 2700K | CREE COB | ≥80 | 15° | 2451.4lm |
| 43W | 3000K | | | 24° | 2389.7lm |
| | 4000K | | | 36° | 2350.7lm |
| | 5000K | 60° | 2287.3lm | | |
| | | | | 15° | 3208.0lm |
| | | | | 24° | 3184.7lm |
| | | | | 36° | 3024.5lm |
| | | | | 60° | 3030.6lm |



Size/CTN: 415×415×355 mm
G.W./CTN: 12.985 kgs
PCS/CTN: 8 pcs

Light distribution parameters

