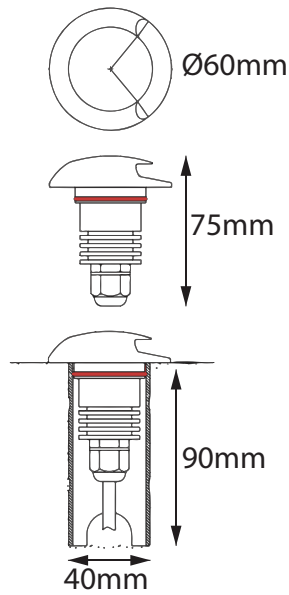




IG6075



MAIN DATA

IP rating IP67
 IK rating IK10
 Housing material Solid Passivated (Anodizing) Aluminum
 CNC machined
 Protection finishing 11~13µm thickness anodized film for housing .Dark grey
 Trim Stainless steel 316
 Glass Tempered Glass T=4mm
 Loading capacity >2000 kgs
 Cable gland PG9 IP67
 Gasket O-ring PMQ silicone seal
 Accessories Passivated anodizing aluminum CNC machine

IG6075



GENERAL DATA

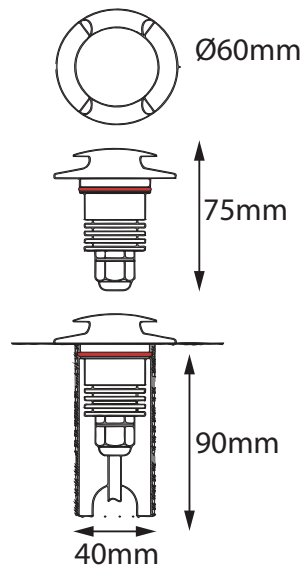
Power 3W
 Led type 1pc 3W CREE XPE led,
 Lumens ~100lm
 CCT 2700K, 3000K, 4000K, 6000K
 CRI >80
 Beam angle 1*100°
 Dimension Ø60*H75mm
 Cut out Ø40mm
 Net weight 0.370kg
 Warranty 3 years

ELECTRICAL DATA

Input voltage DC12V -DC24V
 Insulation class Class III
 Cable 1PC rubber cable 1.5M H05RN-F 2x0.75mm square
 Driver Low voltage constant current output excluding transformer



IG6075-2



MAIN DATA

IP rating IP67
 IK rating IK10
 Housing material Solid Passivated (Anodizing) Aluminum
 CNC machined
 Protection finishing 11~13µm thickness anodized film for housing .Dark grey
 Trim Stainless steel 316
 Glass Tempered Glass T=4mm
 Loading capacity >2000 kgs
 Cable gland PG9 IP67
 Gasket O-ring PMQ silicone seal
 Accessories Passivated anodizing aluminum CNC machine

IG6075-2



GENERAL DATA

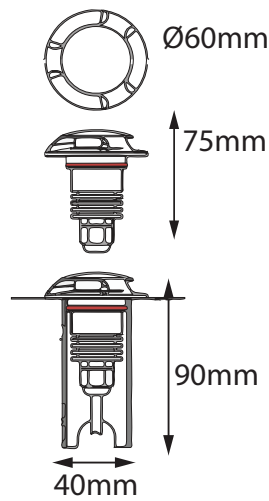
Power 3W
 Led type 1pc 3W CREE XPE led,
 Lumens ~100lm
 CCT 2700K, 3000K, 4000K, 6000K
 CRI >80
 Beam angle 2*100°
 Dimension Ø60*H75mm
 Cut out Ø40mm
 Net weight 0.370kg
 Warranty 3 years

ELECTRICAL DATA

Input voltage DC12V -DC24V
 Insulation class Class III
 Cable 1PC rubber cable 1.5M H05RN-F 2x0.75mm square
 Driver Low voltage constant current output excluding transformer



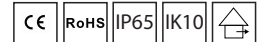
IG6075-3



MAIN DATA

IP rating IP67
 IK rating IK10
 Housing material Solid Passivated (Anodizing) Aluminum
 CNC machined
 Protection finishing 11~13µm thickness anodized film for housing ,Dark grey
 Trim Stainless steel 316
 Glass Tempered Glass T=4mm
 Loading capacity >2000 kgs
 Cable gland PG9 IP67
 Gasket O-ring PMQ silicone seal
 Accessories Passivated anodizing aluminum CNC machine

IG6075-3



GENERAL DATA

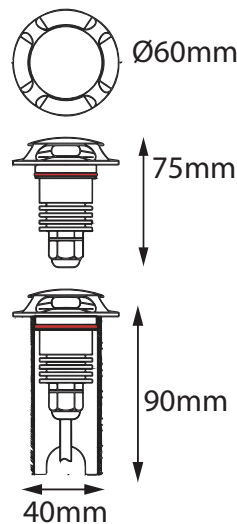
Power 3W
 Led type 1pc 3W CREE XPE led,
 Lumens ~100lm
 CCT 2700K, 3000K, 4000K, 6000K
 CRI >80
 Beam angle 3*100°
 Dimension Ø60*H75mm
 Cut out Ø40mm
 Net weight 0.370kg
 Warranty 3 years

ELECTRICAL DATA

Input voltage DC12V -DC24V
 Insulation class Class III
 Cable 1PC rubber cable 1.5M H05RN-F 2x0.75mm square
 Driver Low voltage constant current output excluding transformer



IG6075-4



MAIN DATA

IP rating IP67
 IK rating IK10
 Housing material Solid Passivated (Anodizing) Aluminum
 CNC machined
 Protection finishing 11~13µm thickness anodized film for housing ,Dark grey
 Trim Stainless steel 316
 Glass Tempered Glass T=4mm
 Loading capacity >2000 kgs
 Cable gland PG9 IP67
 Gasket O-ring PMQ silicone seal
 Accessories Passivated anodizing aluminum CNC machine

IG6075-4



GENERAL DATA

Power 3W
 Led type 1pc 3W CREE XPE led,
 Lumens ~100lm
 CCT 2700K, 3000K, 4000K, 6000K
 CRI >80
 Beam angle 4*80°
 Dimension Ø60*H75mm
 Cut out Ø40mm
 Net weight 0.370kg
 Warranty 3 years

ELECTRICAL DATA

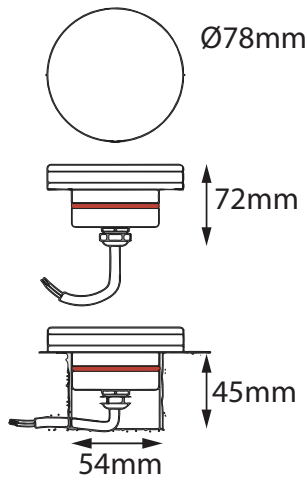
Input voltage DC12V -DC24V
 Insulation class Class III
 Cable 1PC rubber cable 1.5M H05RN-F 2x0.75mm square
 Driver Low voltage constant current output excluding transformer



IG7872

MAIN DATA

IP rating IP67
 IK rating IK10
 Housing material Solid Passivated (Anodizing) Aluminum
 CNC machined
 Protection finishing 20~25µm thickness anodized film for housing .Dark grey
 Trim Stainless steel 316
 Glass With out glass, but with PMMA diffuser
 Loading capacity >2000 kgs
 Cable gland PG7 IP67
 Gasket O-ring PMQ silicone seal
 Accessories Passivated anodizing aluminum CNC machine



IG7872



GENERAL DATA

Power 4W
 Led type 18pcs SMD2835
 Lumens ~150lm
 CCT 2700K, 3000K, 4000K, 6000K, R|G|Y|B
 CRI >80
 Beam angle 360°
 Dimension Ø78*H72mm
 Cut out Ø54mm
 Net weight 0.370kg
 Warranty 3 years

ELECTRICAL DATA

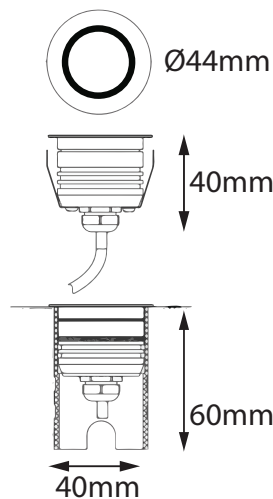
Input voltage DC24V
 Insulation class Class III
 Cable 1PC rubber cable 1.5M H05RN-F 2x0.75mm square
 Driver Low voltage constant current output excluding transformer



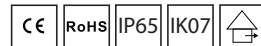
IG4440

MAIN DATA

IP rating IP67
 IK rating IK07
 Housing material Solid Passivated (Anodizing) Aluminum
 CNC machined
 Protection finishing 20~25µm thickness anodized film for housing .Dark grey
 Trim Stainless steel 316
 Glass PMMA 5mm thickness
 Loading capacity 320 kgs
 Cable gland PG7 IP67
 Gasket O-ring PMQ silicone seal
 Accessories Passivated anodizing aluminum CNC machine



IG4440



GENERAL DATA

Power 2W
 Led type 1pc CREE XPE
 Lumens ~120lm
 CCT 2700K, 3000K, 4000K, 6000K, R|G|Y|B
 CRI >80
 Beam angle 120°
 Dimension Ø44*H40mm
 Cut out Ø40mm
 Net weight 0.230kg
 Warranty 3 years

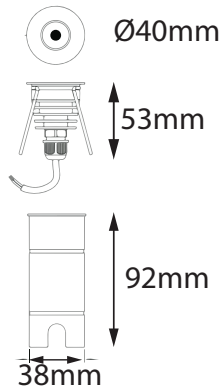
ELECTRICAL DATA

Input voltage DC12V/DC24V
 Insulation class Class III
 Cable 1PC rubber cable 1.5M H05RN-F 2x0.75mm square
 Driver Low voltage constant current output excluding transformer





IG4053



MAIN DATA

IP rating IP67
 IK rating IK06
 Housing material Solid Passivated (Anodizing) Aluminum
 CNC machined
 Protection finishing 11~13µm thickness anodized film for housing, Dark grey
 Trim Stainless steel 316
 Glass Step tempered Glass T=4mm
 Loading capacity 320 kgs
 Cable gland PG7 IP67
 Gasket O-ring PMQ silicone seal
 Accessories Passivated anodizing aluminum CNC machine

IG4053



GENERAL DATA

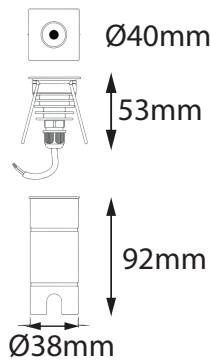
Power 3W
 Led type 1pc CREE XPE
 Lumens ~130lm
 CCT 2700K, 3000K, 4000K, 6000K, R|G|Y|B
 CRI >80
 Beam angle 15°, 25°, 38°, 45°, 60°, 120°
 Dimension Ø40*H53mm
 Cut out Ø38mm
 Net weight 0.210kg
 Warranty 3 years

ELECTRICAL DATA

Input voltage DC12V/DC24V
 Insulation class Class III
 Cable 1PC rubber cable 1.5M H05RN-F 2x0.75mm square
 Driver Low voltage constant current output excluding transformer



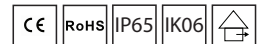
IG4053S



MAIN DATA

IP rating IP67
 IK rating IK06
 Housing material Solid Passivated (Anodizing) Aluminum
 CNC machined
 Protection finishing 11~13µm thickness anodized film for housing, Dark grey
 Trim Stainless steel 316
 Glass Step tempered Glass T=4mm
 Loading capacity 320 kgs
 Cable gland PG7 IP67
 Gasket O-ring PMQ silicone seal
 Accessories Passivated anodizing aluminum CNC machine

IG4053S



GENERAL DATA

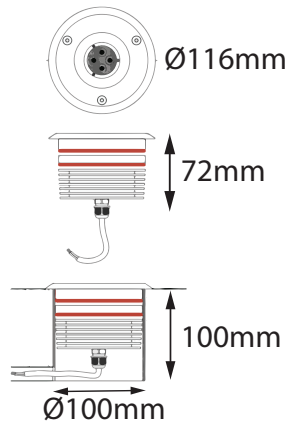
Power 3W
 Led type 1pc CREE XPE
 Lumens ~130lm
 CCT 2700K, 3000K, 4000K, 6000K, R|G|Y|B
 CRI >80
 Beam angle 15°, 25°, 38°, 45°, 60°, 120°
 Dimension Ø40*H53mm
 Cut out Ø38mm
 Net weight 0.220kg
 Warranty 3 years

ELECTRICAL DATA

Input voltage DC12V/DC24V
 Insulation class Class III
 Cable 1PC rubber cable 1.5M H05RN-F 2x0.75mm square
 Driver Low voltage constant current output excluding transformer



IG11672



MAIN DATA

IP rating IP67
 IK rating IK09
 Housing material Solid Passivated (Anodizing) Aluminum
 CNC machined
 Protection finishing 20~25µm thickness anodized film for housing .Dark grey
 Trim Stainless steel 316
 Glass Step tempered Glass T=8mm
 Loading capacity 2000 kgs
 Cable gland PG7 IP67
 Gasket O-ring PMQ silicone seal
 Rotatable Manual rotating max 20°

IG11672



GENERAL DATA

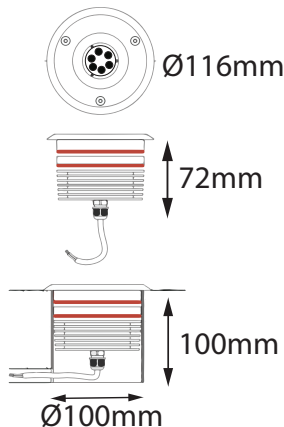
Power 4W
 Led type 4pcs CREE XPE
 Lumens ~370lm
 CCT 2700K, 3000K, 4000K, 6000K, R|G|Y|B
 CRI >80
 Beam angle 20°, 40°, 60° (adjustable max 20°)
 Dimension Ø116*H72mm
 Cut out Ø100mm
 Net weight 1.220kg
 Warranty 3 years

ELECTRICAL DATA

Input voltage DC24V
 Insulation class Class III
 Cable 1PC rubber cable 1.5M H05RN-F 2x0.75mm square
 Driver Low voltage constant current output excluding transformer



IG11672-6



MAIN DATA

IP rating IP67
 IK rating IK09
 Housing material Solid Passivated (Anodizing) Aluminum
 CNC machined
 Protection finishing 20~25µm thickness anodized film for housing .Dark grey
 Trim Stainless steel 316
 Glass Step tempered Glass T=8mm
 Loading capacity 2000 kgs
 Cable gland PG7 IP67
 Gasket O-ring PMQ silicone seal
 Rotatable Manual rotating max 20°

IG11672-6



GENERAL DATA

Power 6W
 Led type 6pcs CREE XPE
 Lumens ~540lm
 CCT 2700K, 3000K, 4000K, 6000K, R|G|Y|B
 CRI >80
 Beam angle 20°, 40°, 60° (adjustable max 20°)
 Dimension Ø116*H72mm
 Cut out Ø100mm
 Net weight 1.253kg
 Warranty 3 years

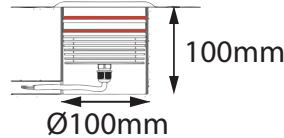
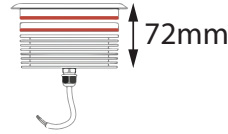
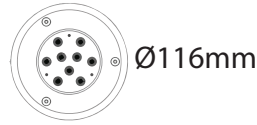
ELECTRICAL DATA

Input voltage DC24V
 Insulation class Class III
 Cable 1PC rubber cable 1.5M H05RN-F 2x0.75mm square
 Driver Low voltage constant current output excluding transformer





IG11672-9



MAIN DATA

IP rating IP67
 IK rating IK09
 Housing material Solid Passivated (Anodizing) Aluminum
 CNC machined
 Protection finishing 20~25µm thickness anodized film for housing, Dark grey
 Trim Stainless steel 316
 Glass Step tempered Glass T=10mm
 Loading capacity 2000 kgs
 Cable gland PG7 IP67
 Gasket O-ring PMQ silicone seal
 Rotatable Manual rotating max 20°

IG11672-9



GENERAL DATA

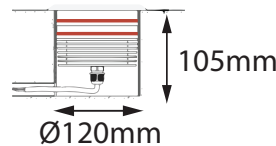
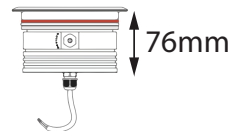
Power 9W
 Led type 9pcs 1W CREE XPE
 Lumens ~810lm
 CCT 2700K, 3000K, 4000K, 6000K, R[G|Y|B]
 CRI >80
 Beam angle 20°, 40°, 60° (adjustable max 20°)
 Dimension Ø134*H74mm
 Cut out Ø120mm
 Net weight 1.221kg
 Warranty 3 years

ELECTRICAL DATA

Input voltage DC24V
 Insulation class Class III
 Cable 1PC rubber cable 1.5M H05RN-F 2x0.75mm square
 Driver Low voltage constant current output excluding transformer



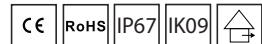
IG13476



MAIN DATA

IP rating IP67
 IK rating IK09
 Housing material Solid Passivated (Anodizing) Aluminum
 CNC machined
 Protection finishing 20~25µm thickness anodized film for housing, Dark grey
 Trim Stainless steel 316
 Glass Step tempered Glass T=10mm
 Loading capacity 2000 kgs
 Cable gland PG7 IP67
 Gasket O-ring PMQ silicone seal
 Rotatable Manual rotating max 20°

IG13476



GENERAL DATA

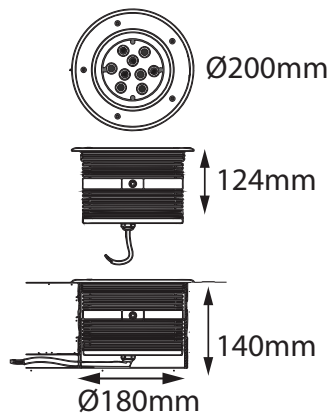
Power 12W
 Led type 12pcs 1W CREE XPE
 Lumens ~1080lm
 CCT 2700K, 3000K, 4000K, 6000K, R[G|Y|B]
 CRI >80
 Beam angle 20°, 40°, 60° (adjustable max 20°)
 Dimension Ø134*H76mm
 Cut out Ø120mm
 Net weight 1.243kg
 Warranty 3 years

ELECTRICAL DATA

Input voltage DC24V
 Insulation class Class III
 Cable 1PC rubber cable 1.5M H05RN-F 2x0.75mm square
 Driver Low voltage constant current output excluding transformer



IG200124



IG200124



GENERAL DATA

Power	16W
Led type	9pcs 2W CREE XPE
Lumens	~1350lm
CCT	2700K, 3000K, 4000K, 6000K, R G Y B
CRI	>80
Beam angle	8°, 10°, 17°, 23°, 28°, 43°, 58°, 95° (adjustable max 20°)
Dimension	Ø200*H124mm
Cut out	Ø178mm
Net weight	5.1kg

MAIN DATA

IP rating	IP67
IK rating	IK09
Housing material	Solid Passivated (Anodizing) Aluminum
	CNC machined
Protection finishing	20~25µm thickness anodized film for housing, Dark grey
Trim	Stainless steel 316
Glass	Step tempered Glass T=10mm
Loading capacity	2000 kgs
Cable gland	PG7 IP67
Gasket	O-ring PMQ silicone seal
Mounting sleeve	solid passivated anodizing aluminum CNC

ELECTRICAL DATA

Input voltage	DC24V
Insulation class	Class III
Cable	1PC rubber cable 1.5M H05RN-F 2x0.75mm square
Driver	Low voltage constant current output excluding transformer



COMMERCIAL AND RESIDENTIAL OUTDOOR, Inground Deco Series, reference IG200124, IP67 16W Anodizing aluminum.

