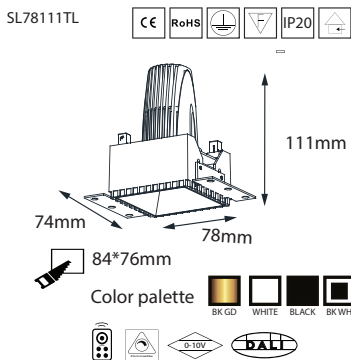


SL84111TL

Input Voltage AC220-240V, Multivoltage  
 Light Power 10W  
 Luminous flux ~770lm  
 Light Source CREE, other options available  
 CCT 2700K, 3000K, 4000K  
 CRI 80 as standard, CRI90, 95, 97  
 Beam Angle 15°, 24°, 40°  
 Driver, Khun, Xz other options available  
 Dimmable 0-10V, Triac, Dali as an option



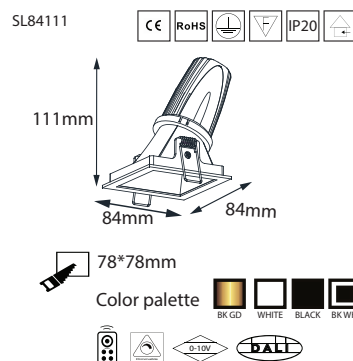
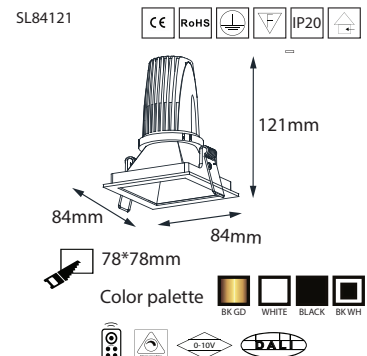
SL78111TL

Input Voltage AC220-240V, Multivoltage  
 Light Power 10W  
 Luminous flux ~770lm  
 Light Source CREE, other options available  
 CCT 2700K, 3000K, 4000K  
 CRI 80 as standard, CRI90, 95, 97  
 Beam Angle 15°, 24°, 40°  
 Driver, Khun, Xz other options available  
 Dimmable 0-10V, Triac, Dali as an option



SL84121

Input Voltage AC220-240V, Multivoltage  
 Light Power 10W  
 Luminous flux ~720lm  
 Light Source CREE, other options available  
 CCT 2700K, 3000K, 4000K  
 CRI 80 as standard, CRI90, 95, 97  
 Beam Angle 15°, 24°, 36°  
 Driver, Khun, Xz other options available  
 Dimmable 0-10V, Triac, Dali as an option



SL84111

Input Voltage AC220-240V, Multivoltage  
 Light Power 10W  
 Luminous flux ~720lm  
 Light Source CREE, other options available  
 CCT 2700K, 3000K, 4000K  
 CRI 80 as standard, CRI90, 95, 97  
 Beam Angle 15°, 24°, 36°  
 Driver, Khun, Xz other options available  
 Dimmable 0-10V, Triac, Dali as an option



SL96112

CE RoHS IP20

112mm

96mm 96mm

85\*85mm

Color palette BK GD WHITE BLACK BK WH

0-10V DALI

SL96112

Input Voltage AC220-240V, Multivoltage  
 Light Power 10W  
 Luminous flux ~740lm  
 Light Source CREE, other options available  
 CCT 2700K, 3000K, 4000K  
 CRI 80 as standard, CRI90, 95, 97  
 Beam Angle 15°, 24°, 40°  
 Driver, Khun, Xz other options available  
 Dimmable 0-10V, Triac, Dali as an option

SL96118

CE RoHS IP20

118mm

96mm 96mm

85\*85mm

Color palette BK GD WHITE BLACK BK WH

0-10V DALI

SL96118

Input Voltage AC220-240V, Multivoltage  
 Light Power 15W  
 Luminous flux ~1150lm  
 Light Source CREE, other options available  
 CCT 2700K, 3000K, 4000K  
 CRI 80 as standard, CRI90, 95, 97  
 Beam Angle 15°, 24°, 40°  
 Driver, Khun, Xz other options available  
 Dimmable 0-10V, Triac, Dali as an option



SL95112

Input Voltage AC220-240V, Multivoltage  
 Light Power 10W  
 Luminous flux ~730lm  
 Light Source CREE, other options available  
 CCT 2700K, 3000K, 4000K  
 CRI 80 as standard, CRI90, 95, 97  
 Beam Angle 15°, 24°, 40°  
 Driver, Khun, Xz other options available  
 Dimmable 0-10V, Triac, Dali as an option



SL95112

CE RoHS IP20

112mm

95mm

85mm

Color palette BK GD WHITE BLACK BK WH

0-10V DALI

SL95118

CE RoHS IP20

118mm

95mm

85mm

Color palette BK GD WHITE BLACK BK WH

0-10V DALI

SL95118

Input Voltage AC220-240V, Multivoltage  
 Light Power 15W  
 Luminous flux ~1150lm  
 Light Source CREE, other options available  
 CCT 2700K, 3000K, 4000K  
 CRI 80 as standard, CRI90, 95, 97  
 Beam Angle 15°, 24°, 40°  
 Driver, Khun, Xz other options available  
 Dimmable 0-10V, Triac, Dali as an option