

WL150160



GENERAL DATA

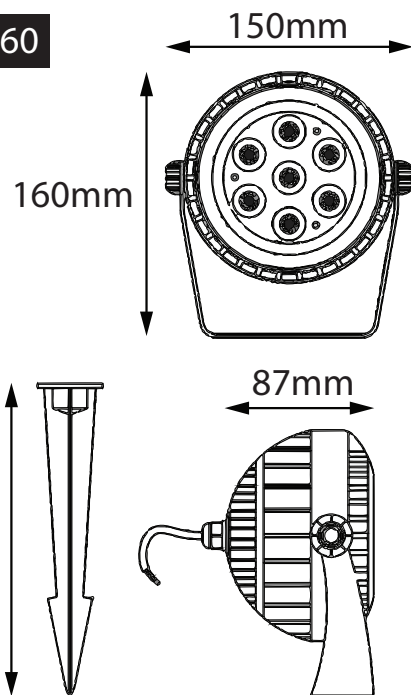
Power	7W, 14W as an option
Led type	7pcs 1W osram
Lumens	600~650lm
CCT	2700K, 3000K, 4000K, 6000K
CRI	>80
Beam angle	10°, 15°, 20°, 25°, 30°, 40°, 45°, 60°
Dimension	L150*W160*H87mm
Cut out	-
Net weight	1.21kg
Warranty	3 years



MAIN DATA

IP rating	IP65
IK rating	IK04
Housing material	Die-casting Aluminium
Protection finishing	Powder coated painting in black color
Trim	Die-casting Aluminium
Glass	Tempered Glass T=4mm
Loading capacity	220 kgs
Cable gland	PG7 IP67
Gasket	PMQ silicone gasket seal
Accessories	Bracket with aluminium spike as option

WL150160



ELECTRICAL DATA

Input voltage	AC90V-265V
Insulation class	Class I
Cable	1 1PC rubber cable 1.5M H05RN-F 3x0.75mm square
Driver	Built-in high voltage constant current driver with transformer

LED PROJECTOR SERIES



LP201218



GENERAL DATA

Power	17W
Led type	17pcs 1W osram
Lumens	1450~1550lm
CCT	2700K, 3000K, 4000K, 6000K
CRI	>80
Beam angle	10°, 15°, 20°, 25°, 30°, 40°, 45°, 60°
Dimension	L150*W160*H87mm
Cut out	-
Net weight	1.21kg
Warranty	3 years

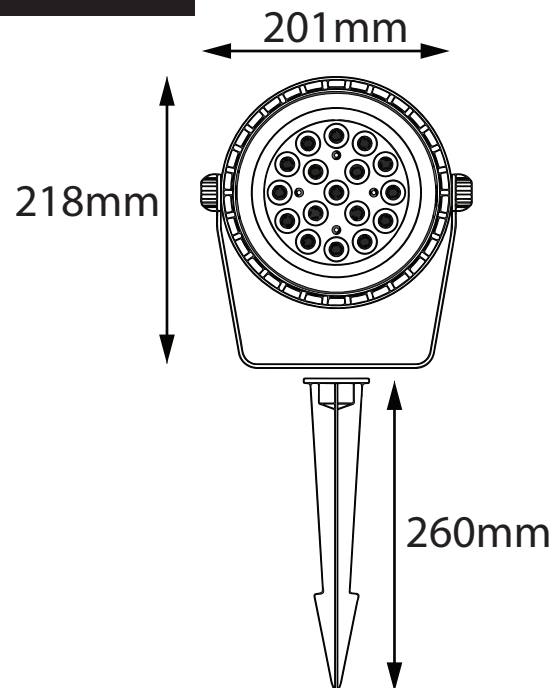
MAIN DATA

IP rating	IP65
IK rating	IK04
Housing material	Die-casting Aluminium
Protection finishing	Powder coated painting in black color
Trim	Die-casting Aluminium
Glass	Tempered Glass T=4mm
Loading capacity	220 kgs
Cable gland	PG7 IP67
Gasket	PMQ silicone gasket seal
Accessories	Bracket with aluminium spike as option

ELECTRICAL DATA

Input voltage	AC90V-265V
Insulation class	Class I
Cable	1 1PC rubber cable 1.5M H05RN-F 3x0.75mm square
Driver	Built-in high voltage constant current driver with transformer

LP201218





LP290295



GENERAL DATA

Power 36W/RGB 36W
 Led type 36pcs 1W osram/ RGB12pcs red led, 12pcs green led, 12pcs blue led
 Lumens 2950~3100lm
 CCT 2700K, 3000K, 4000K, 6000K
 CRI >80
 Beam angle 10°, 15°, 20°, 25°, 30°, 40°, 45°, 60°
 Dimension Ø290*H295*w87mm
 Cut out -
 Net weight 2.35kg

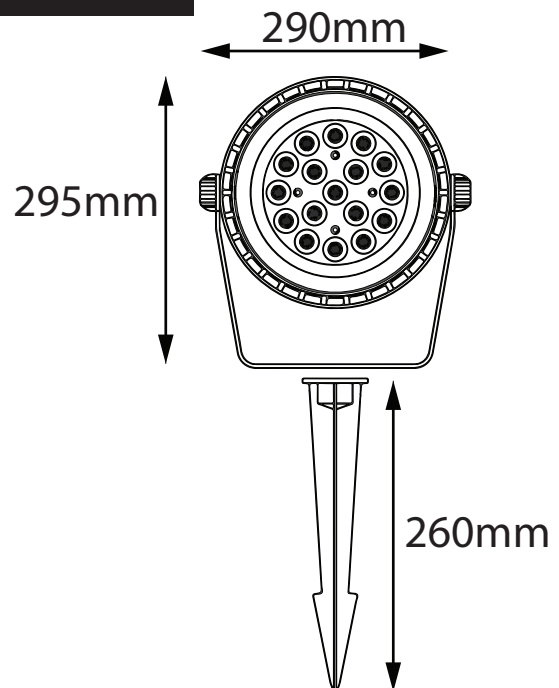
MAIN DATA

IP rating IP65
 IK rating IK04
 Housing material Die-casting Aluminium
 Protection finishing Powder coated painting in black color
 Trim Die-casting Aluminium
 Glass Tempered Glass T=4mm
 Loading capacity 220 kgs
 Cable gland PG7 IP67
 Gasket PMQ silicone gasket seal
 Accessories Bracket with aluminium spike as option

ELECTRICAL DATA

Input voltage AC90V-265V
 Insulation class Class I
 Cable 1 1PC rubber cable 1.5M H05RN-F 3x0.75mm square
 Driver Built-in high voltage constant current driver with transformer

LP290295





LP140255



GENERAL DATA

Power	12W and 24W as an option
Led type	12pcs 1W osram led,
Lumens	1000~1100lm
CCT	2700K, 3000K, 4000K, 6000K
CRI	>80
Beam angle	10°, 15°, 20°, 25°, 30°, 40°, 45°, 60°
Dimension	Ø140*H255mm
Cut out	-
Net weight	1.86kg
Warranty	3 years

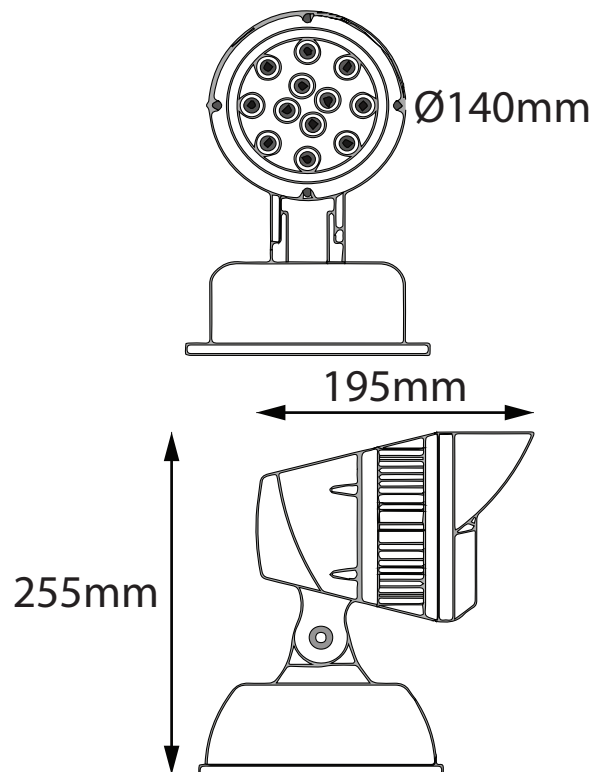
MAIN DATA

IP rating	IP65
IK rating	IK04
Housing material	Die-casting Aluminium
Protection finishing	Powder coated painting in black color
Trim	Die-casting Aluminium
Glass	Tempered Glass T=4mm
Loading capacity	220 kgs
Cable gland	PG7 IP67
Gasket	PMQ silicone gasket seal
Accessories	Round base with round base for mounting on the ground and for wires connecting inside the base, with shield for anti-glare.

ELECTRICAL DATA

Input voltage	AC90V-265V
Insulation class	Class I
Cable	1 PVC cable 1.5M H05RN-F 3x0.75mm square
Driver	Built-in high voltage constant current driver with transformer

LP140255



LP140200



GENERAL DATA

Power	12W and 24W as an option
Led type	12pcs 1W osram led,
Lumens	1000~1100lm
CCT	2700K, 3000K, 4000K, 6000K
CRI	>80
Beam angle	10°, 15°, 20°, 25°, 30°, 40°, 45°, 60°
Dimension	Ø140*H200mm
Cut out	-
Net weight	1.55kg
Warranty	3 years



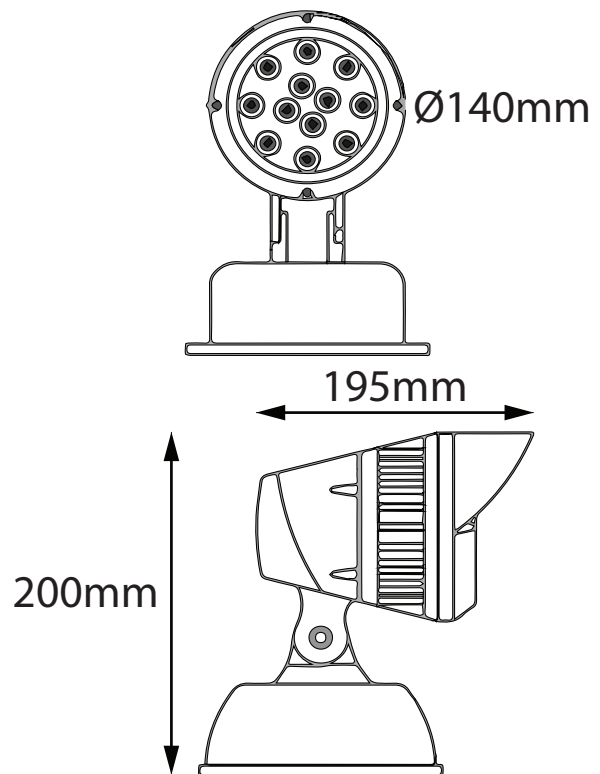
MAIN DATA

IP rating	IP65
IK rating	IK04
Housing material	Die-casting Aluminium
Protection finishing	Powder coated painting in black color
Trim	Die-casting Aluminium
Glass	Tempered Glass T=4mm
Loading capacity	220 kgs
Cable gland	PG7 IP67
Gasket	PMQ silicone gasket seal
Accessories	Round base with round base for mounting on the ground and with shield for anti-glare.

ELECTRICAL DATA

Input voltage	AC90V-265V
Insulation class	Class I
Cable	1 PVC cable 1.5M H05RN-F 3x0.75mm square
Driver	Built-in high voltage constant current driver with transformer

LP140200





LP140215



GENERAL DATA

Power	12W and 24W as an option
Led type	12pcs 1W osram led,
Lumens	1000~1100lm
CCT	2700K, 3000K, 4000K, 6000K
CRI	>80
Beam angle	10°, 15°, 20°, 25°, 30°, 40°, 45°, 60°
Dimension	Ø140*H215mm
Cut out	-
Net weight	1.45kg
Warranty	3 years

MAIN DATA

IP rating	IP65
IK rating	IK04
Housing material	Die-casting Aluminium
Protection finishing	Powder coated painting in black color
Trim	Die-casting Aluminium
Glass	Tempered Glass T=4mm
Loading capacity	220 kgs
Cable gland	PG7 IP67
Gasket	PMQ silicone gasket seal
Accessories	Round base with round base for mounting on the ground

ELECTRICAL DATA

Input voltage	AC90V-265V
Insulation class	Class I
Cable	1 PVC cable 1.5M H05RN-F 3x0.75mm square
Driver	Built-in high voltage constant current driver with transformer

LP140215

