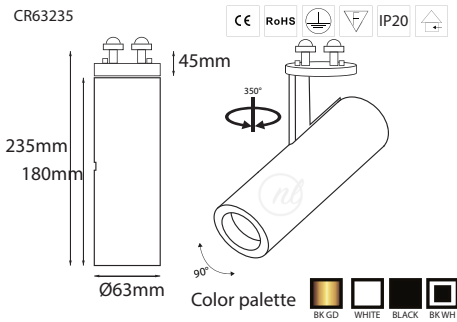


CR63235

Input Voltage AC220-240V, Multivoltage
 Light Power 16W
 Luminous flux ~1140lm
 Light Source CREE COB
 CCT 2700K, 3000K, 4000K, 5000K
 CRI 80 as standard, CRI90, CRI97
 Beam Angle 20°, 30°, 40°
 Output DC36V 450mA



CR76265

Input Voltage AC220-240V, Multivoltage
 Light Power 25W
 Luminous flux ~1800lm
 Light Source CREE COB
 CCT 2700K, 3000K, 4000K, 5000K
 CRI 80 as standard, CRI90, CRI97
 Beam Angle 20°, 30°
 Output DC36V 700mA

CR90295

Input Voltage AC220-240V, Multivoltage
 Light Power 32W
 Luminous flux ~2200lm
 Light Source CREE COB
 CCT 2700K, 3000K, 4000K, 5000K
 CRI 80 as standard, CRI90, CRI97
 Beam Angle 20°, 30°, 40°
 Output DC36V 900mA

